

LITHIUM

LiFePO4

LITHIUM (LiFePO4) | High Performance

REF **BSLi-11**



12v VOLTAGE

96Wh ENERGY

440A CCA

TECHNOLOGY

- Lithium Iron Phosphate cells construction
- Pre-charged batteries
- Homologated by OEM

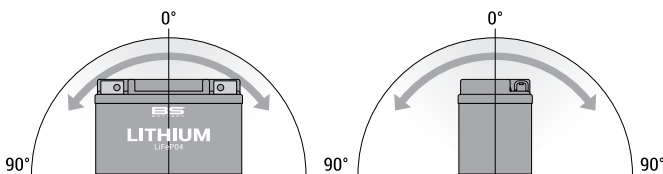
FEATURES

- Fast charging
- Multi-positioning mounting
- Very safe and environmental friendly
- Extensive cycle life: over 2000 cycles
- Very low self-discharge
- Cold temperature performance
- Waterproof design
- Ready to use: just plug and play
- Robust brass terminals
- Heat resistance: up to 230 C°
- Lighter weight

REPLACEMENTS

BHD-12H BTX16
B60-N24-A
53034

MOUNTING ANGLE

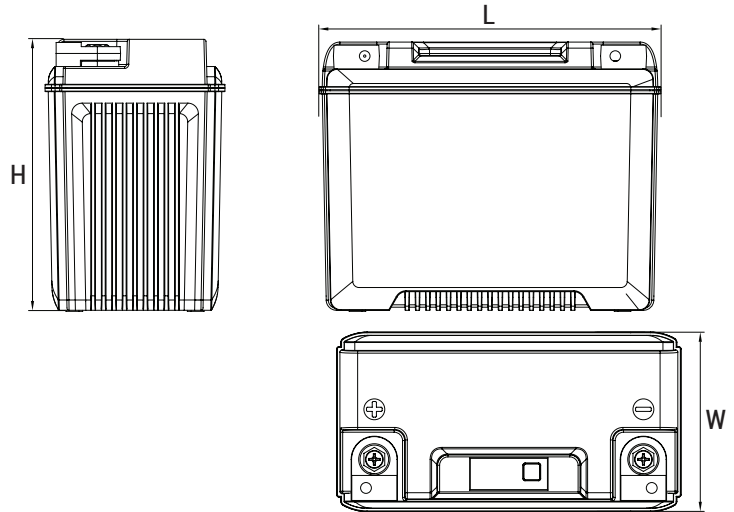


High inclinasion

NON-SPILLABLE

DIMENSIONS & WEIGHT

Length (L): 165±1mm
Width (W): 86±1mm
Height (H): 130±2mm
Weight: 1.60kg (tolerance ±3%)



TERMINALS

